

Think Green, Think Smart, Think Clean
-Enlighten Efficiency



Cosmic Solar Solutions
- Enlightening Solar



®

COSMIC

AN ISO 9001 : 2008 CERTIFIED



SAVE ENERGY, EARN MONEY, PROTECT EARTH...

COSMIC MICRO SYSTEMS PRIVATE LIMITED
Bengaluru

REACH US.

98800 15550

sales@cosmicups.net
www.cosmicenergy.in





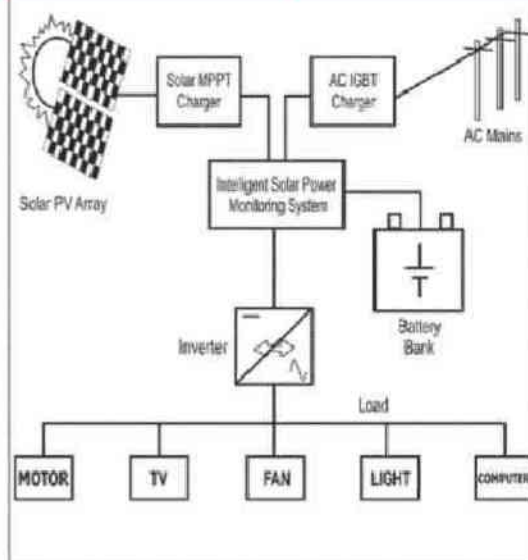
Solar Solutions

Solar Energy is a clean renewable resource with zero emission, has tremendous potential of energy which can be harnessed using technology. With recent developments, solar energy systems are easily available for industrial and domestic use with the added advantage of minimum maintenance. Solar energy is made financially viable with government tax incentives and rebates. Solar Inverter has potential to cater the growing needs of the power. Cosmic has developed a range of non-polluting, environment-friendly products and solutions that offer not only reliable energy, but also hope for a better future.

TECHNICAL SPECIFICATION FOR SOLAR OFFGRID ONLINE UPS SYSTEM

DESCRIPTION	OFFGRID SOLAR ONLINE UPS SYSTEM
TECHNOLOGY	Advance PWM with high Frequency Switching, Double conversion, Isolated output and Dual Input AC V from EB and DCV from SP V Module, with MPPT Solar Charger.
CAPACITY	3KVA to 100KVA
INPUT	
Voltage AC	160V - 280V AC for Single Phase and 300V - 450V AC for 3Phase.
Voltage DC	SPV 96V DC - 1000V DC
Frequency	50Hz+/- 5 Hz
OUTPUT	
Voltage	225V AC for Signal Phase Output and 400 AC for 3 Phase Output.
Frequency	50Hz+/- 0.1 Hz
Regulation	225V +/- 1%, 400V +/- 1%.
Wave Form	Pure Sinewave
Power Factor	0.8 Lag
Distortion	Less than 2%
Inverter	By Using IGBT Devices
Load Crest Factor	Upto 3:1
Noise Level	less than 40 db
Withstanding Capacity	125% Over Load for 60 secs.
Type of Cooling	Forced Air Cooling
Type of AC Charger	CVCC(Constant Voltage Constant Current) by using IGBT devices
Type of Solar Charger	Advanced DSP based MPPT Solar priority Type
Efficiency	Better than 92% on Inverter, Above 90% as overall
TRANSFER TIME	Nil
PROTECTIONS	
Input	Over Voltage / Under Voltage / Spikes / Surges
Battery	Over Charge / Low Voltage (Deep Discharge)
Output	Over Voltage / Under Voltage / Over load / Short Circuit
Solar PV	Reverse Power at night time, Lighting
INDICATIONS	Mains on / Inv.on / Inv. Trip / Batt. Low / Inv. U/V - O/V Trip / Solar on.
ALARMS	Battery Low / Mains Failure
LCD DISPLAY	Input Volt / Output Volt / Output Current / Output Freq Battery Volt / Battery Current / Solar PV Volts / Solar PV / Total Power Generated by Solar.
BATTERY	Lead Acid - Inverter / Tubular / SMF
Battery Voltage	48 V DC to 360V DC
Recharging Time	6 - 8 Hrs

Cosmic Solar Power Systems How it Works



Benefits of Solar online UPS

- ▶ Works on Double Conversion Technology
No Need to Connect Stabilizer to your load
- ▶ It has Battery backup Facility
No need to have one more UPS for your Critical load During Power Cut.
- ▶ 100% Income Tax, Depreciation on our Solar Online UPS.
- ▶ 10 to 15% Per Annum Savings on your Investment on our Solar Online UPS in terms of Savings on Commercial Electrical Bill.
- ▶ ROI Within 7- 8 years
Next 10 to 12 years Solar Power Free of Cost

Solar Power Generating System with MPPT

Double Conversion with Load Sharing Technology. This is one of the advanced technology in the market to utilize 100% of Solar PV generated power by enhancing Solar Power through MPPT Load Sharing and current control technology which can be used for sensitive, sophisticated and industrial loads.

The output load is completely isolated from input by using Double conversion technology and also our Solar UPS Out power is constant for 24/7 without any fluctuation.

The Solar Power is utilized maximum level even during cloudy season. The priority always for Solar Power. Solar Power and EB Power will be paralleled and will work together but always priority for the Solar Power. After utilizing Solar Power still if load required more than Solar generated power. Our Solar UPS Smart Dual Sharing technology will allow EB Power to feed the power to Inverter Input. So Output load will be protected with Uninterrupted Clean Power.